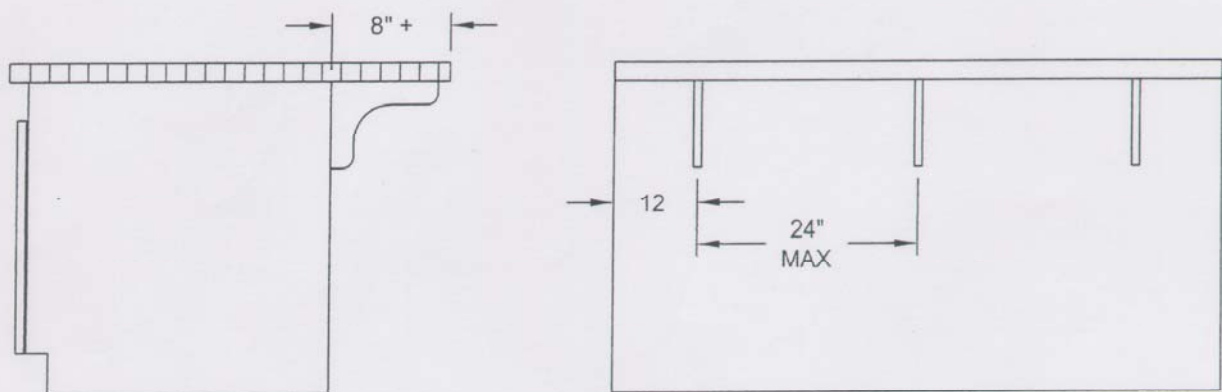


IN THE CASE THAT A TOP IS PLACED ON A BASE THAT RESULTS IN AN OVERHANG OF 12" OR MORE INCHES ON THE ENDS, THE OVERHANGE PORTION MUST BE STABILIZED BY BRACKETS. (SEE PIC. ABOVE)



IN THE CASE THAT A TOP IS PLACED ON A BASE THAT RESULTS IN AN OVERHANG OF 8" OR MORE INCHES ON THE SIDES, THE OVERHANGE PORTION MUST BE STABILIZED BY BRACKETS. (SEE PIC. ABOVE)